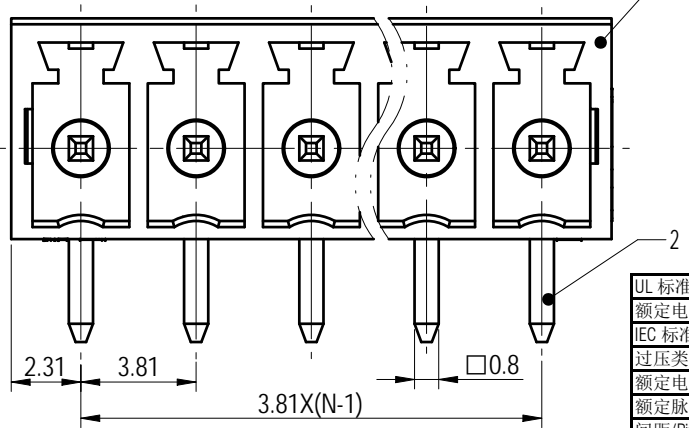
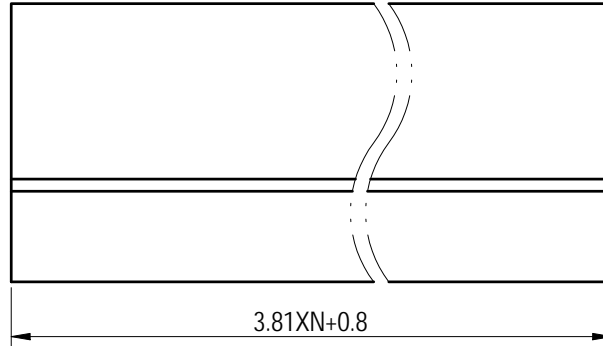
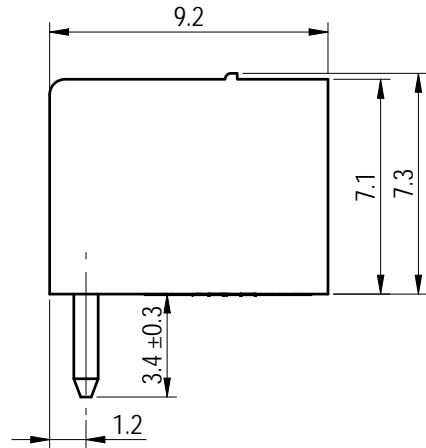
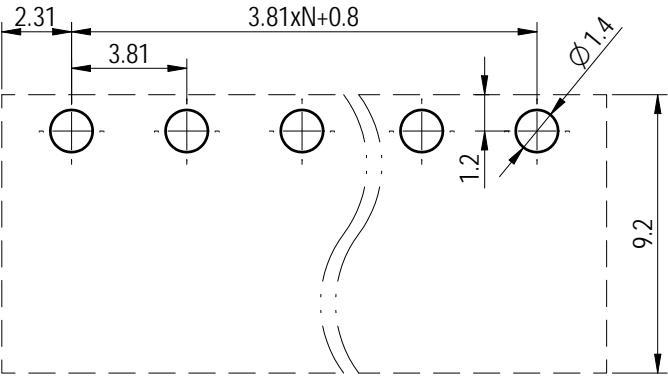
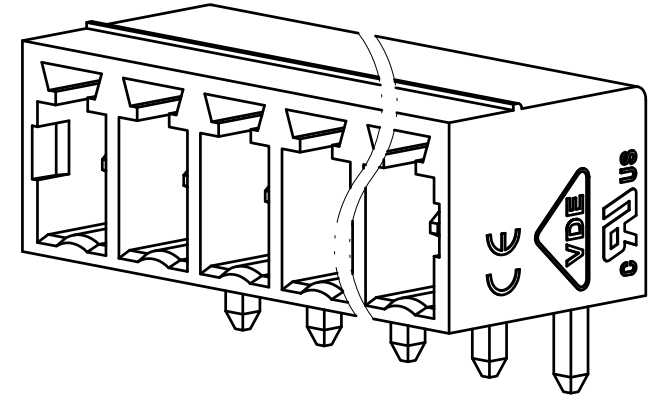


PCB LAYOUT



公差/General tolerances (mm)											D 0.1/10		
0	>3	>6	>10	>18	>30	>50	>80	>120	>180	>250			
~3	~6	~10	~18	~30	~50	~80	~120	~180	~250	~315	~400	~500	>500
±0.12	±0.18	±0.22	±0.26	±0.31	±0.37	±0.57	±0.80	±0.93	±1.05	±1.15	±1.60	±2.20	±2.50



Note:  
The A&Z (H) in the name means: A(H) and Z(H).

ITEM	NAME OF PART	MATERIAL	NOTES
2	Pin	Copper alloy	Sn Plated
1	Housing	PA66+GF	UL94V-0

UL 标准/UL Standard:	B	C	D
额定电压/电流/Rated Voltage(V)/Current(A)	300/8	/	300/8
IEC 标准/IEC Standard:			
过压类别/Overvoltage Category/污染等级/Pollution Degree	III/3	III/2	II/2
额定电压/电流/Rated Voltage(V)/Current(A)	/	/	250/7
额定脉冲电压(KV)/Rate Impulse Voltage(KV)	/	/	2.5
间距/Pitch(mm)/线数范围/Poles	3.81/N=02~24P		
使用温度范围/Operating temperature(°C)	-40~+105		
符合RoHS环保要求/Conform to RoHS	Yes		
标准颜色编号/Standard color number: PANTONE / RAL	/		



APPD: 兰春华	2023.03.07
CHKD: 龚耀志	2023.03.07
DRFT: 方哲盛	2023.03.07

MATERIAL:	SURFACE/COLOR:		
MAT NO./REV: - / 00	MAT STATUS: 批量		
NAME			
15EDGRC-3.81-XXP-1Y-13A&Z(H)			
DRAWING NO. 200019879	TYPE CUSTOMER DRAWING	DRAWING STATUS 已发布	SCALE 4:1
		SHEET 1/1	

REV	ECN	DESCRIPTION	DRFT	DATE
00			方哲盛	2023.03.07

Transfer or duplication of this document as well as the utilization or communication of its content are prohibited unless authorized in writing by DEGSON. All rights reserved for patent. 除专利注明情况外，未经许可，不得复制或传播。 凡在本文件中所涉及之规格、材料、工艺等文件均受法律保护。 凡在本文件中所涉及之规格、材料、工艺等文件均受法律保护。 凡在本文件中所涉及之规格、材料、工艺等文件均受法律保护。